



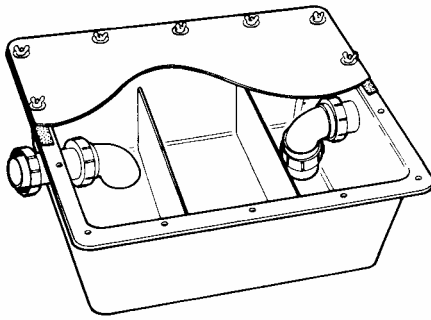
CLAYMAN

Morells Barn • Park Lane • Lower Bognor Road • Lagness • Chichester • West Sussex • PO20 1LR
Telephone: +44 (0) 1243 265845 • Facsimile: +44 (0) 1243 267582

Email: Info@claymansupplies.co.uk • www.claymansupplies.co.uk

PRODUCT INFORMATION

6999 – CLAY TRAP



The Clay Trap measures 552 x 400 x 270mm deep. The cut-away lid, in our illustration reveals the two weirs, the inlet on the left and the outlet, which has a 76mm water seal on the right. Both inlet and outlet have coupling nuts for joining to 38mm 'Vulcathene Mechanical' pipe.

Dimensions:

Width: 552mm
Depth: 400mm
Height: 270mm